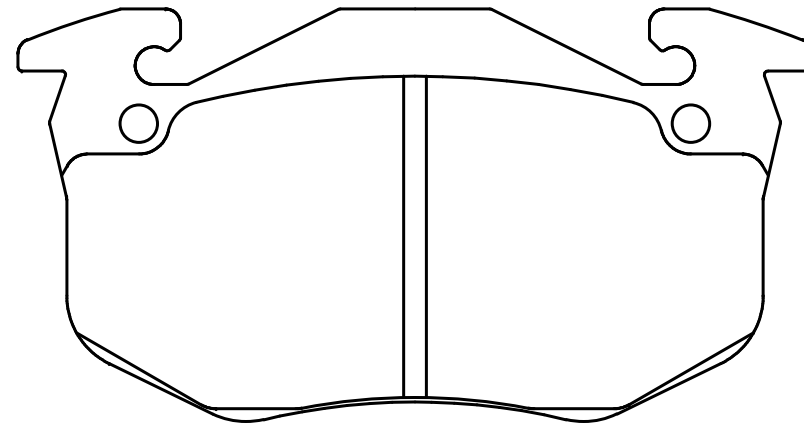
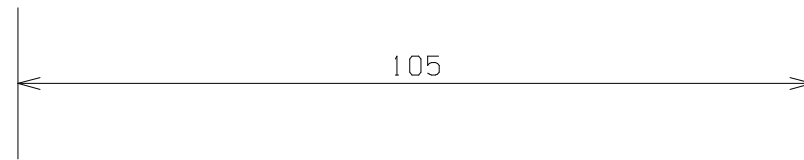


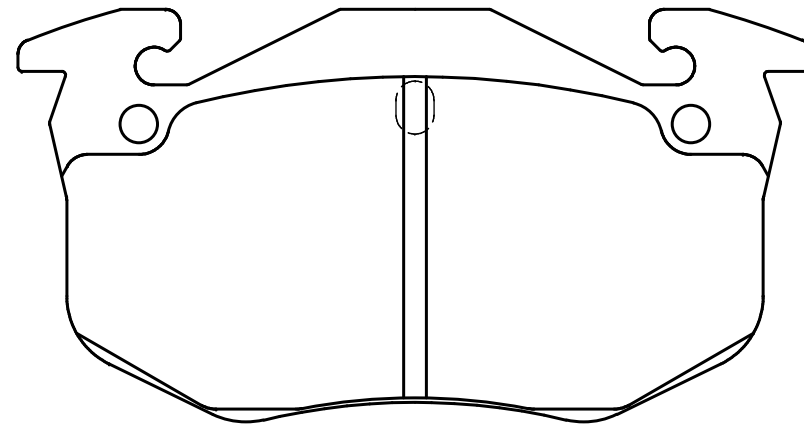
**Ewig**  
for import car



54.6



105



54.6

**Thickness : 18.0**

**Part No : EIP113**