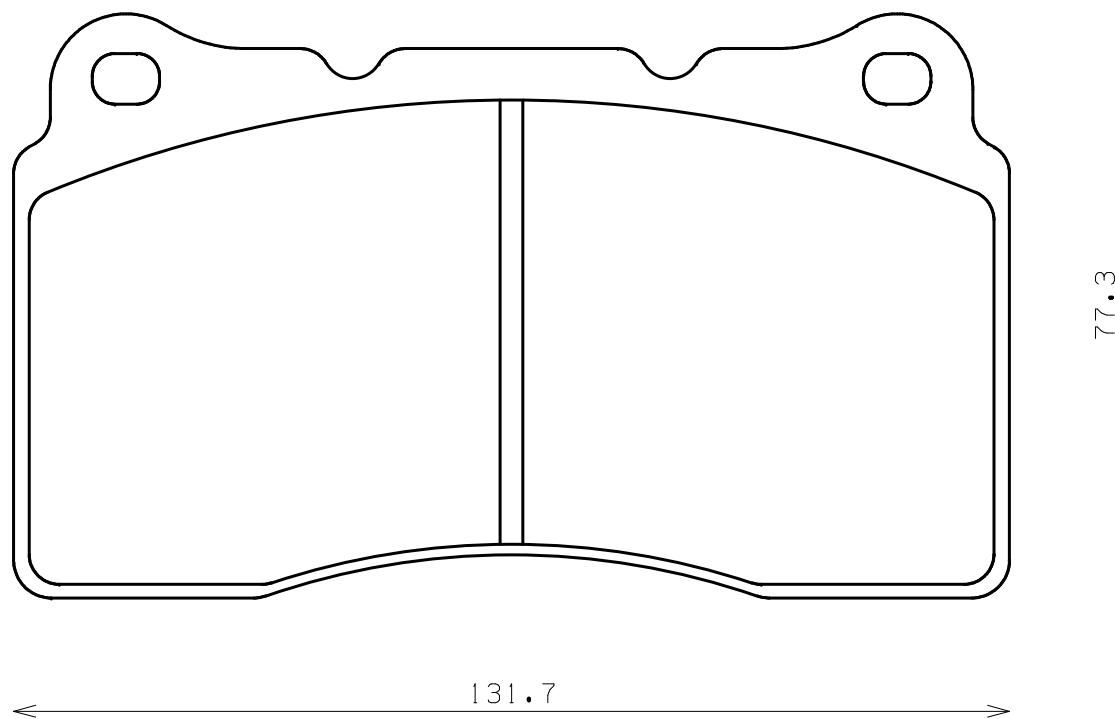


**Ewig**  
for import car



**Thickness : 15.0**

**Part No : EIP111**