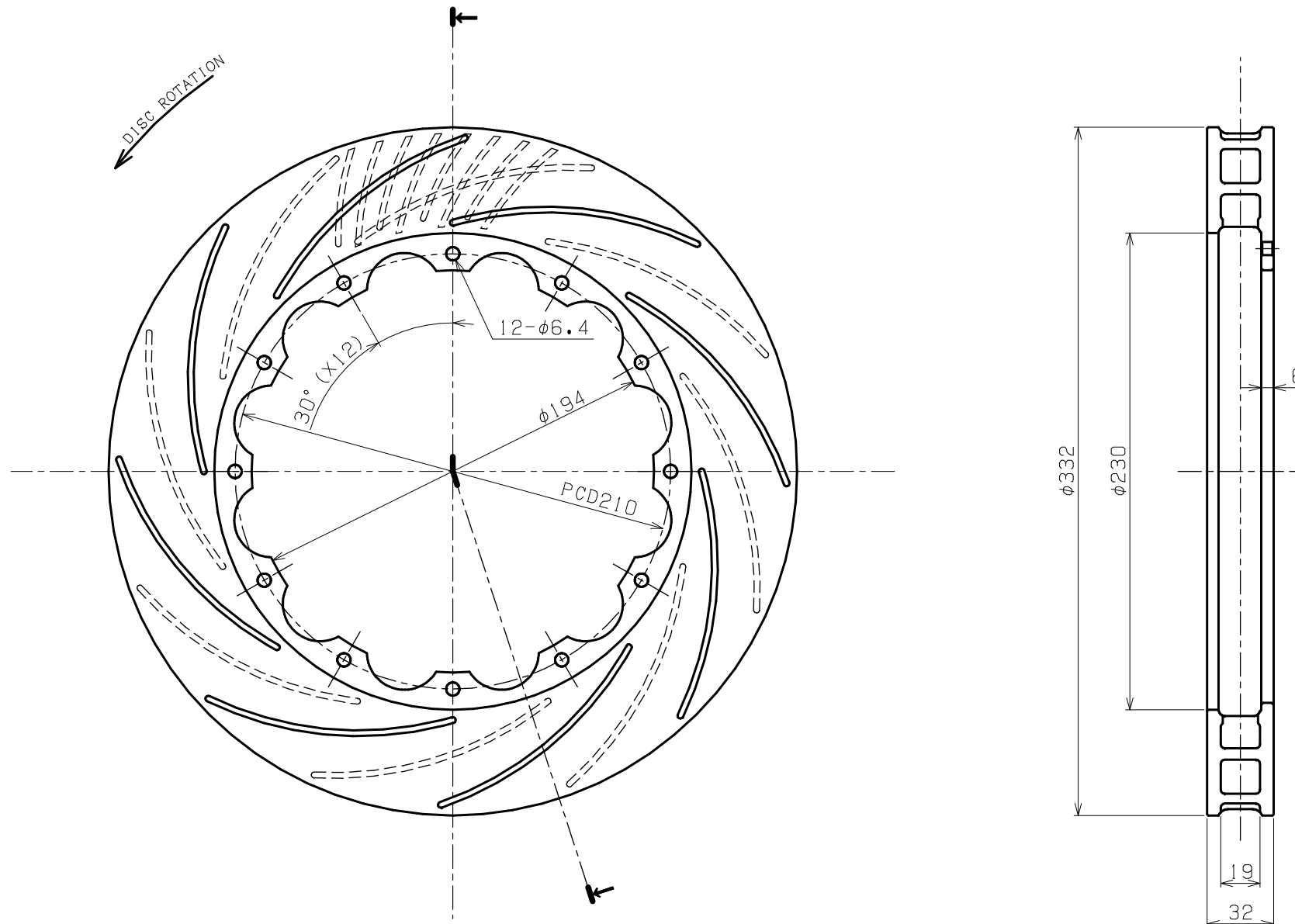


BRAKE DISC

φ332x32 Alcon

AIR GAP: 19
AIR VENT: 72
GROOVE: 8
WEIGHT: 6.1 kg

ENDLESS®



RH as shown. LH as symmetrically opposite.

3rd ANGLE
PROJECTION